

Wind Dancer Mini

WIND-MIN

The Wind Dancer Mini is a great option for outdoor and indoor banner displays. It offers an adjustable display height and comes with a black hollow base, which can be filled with water or sand for increased stability.



We are continually improving and modifying our product range and reserve the right to vary the specifications without prior notice. All dimensions and weights quoted are approximate and we accept no responsibility for variance. E&OE. See Graphic Templates for graphic bleed specifications.

features and benefits:

- **NEW**
- Adjustable hardware height up to 8'3"
- Flag is approximately 25.75" wide
- Hardware adjustable for various graphic heights
- Easy to position, erect and remove
- Single or double sided graphic option
- 90 day hardware warranty against manufacturer defects
- Six month graphic limited warranty

dimensions:

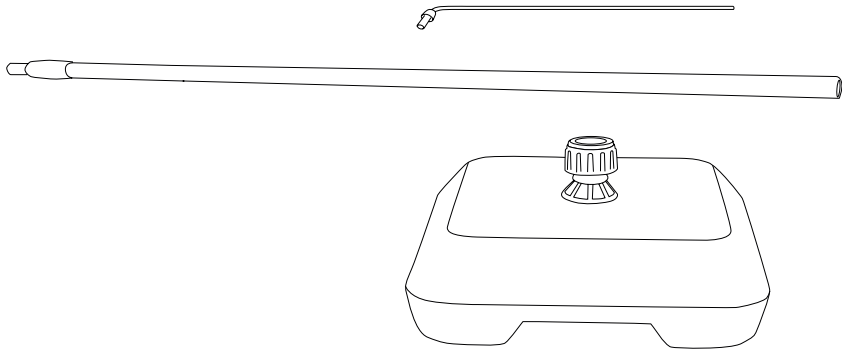
Hardware	Graphic
<p>Assembled unit: 16.3125"w x 56"h up to 100.32"h x 16.3125"d 414mm(w) x 1422mm(h) up to 2548mm(h) x 414mm(d)</p> <p>Base unit (with arm): 31.5" w x 16.3125"d 800mm(w) x 414mm(d)</p> <p>Weight: Empty: 5 lbs / 2.27 kgs Filled with water: 33.07 lbs / 15 kgs</p>	<p>Total visual area: 25.75"w x 73"h</p> <p>Various graphic height options: min: 48"h max: 92"h</p> <p>Refer to related graphic template for more information.</p>
<p>Shipping</p> <p>Shipping dimensions - ships in two boxes: Box 1: 15.25"l x 15.75"w x 6"h 387mm(l) x 400mm(w) x 152mm(h) Box 2: 56"l x 3.5"w x 1.75"h 1422mm(l) x 89mm(w) x 44mm(h)</p> <p>Approximate shipping weight: Box 1: 3 lbs / 1.36 kg Box 2: 3 lbs / 1.36 kg</p>	

additional information:

Hallow plastic base can be filled with water or sand

*For applications below 40° fahrenheit, please use sand in place of water.

Pieces required for assembly



Set-up

