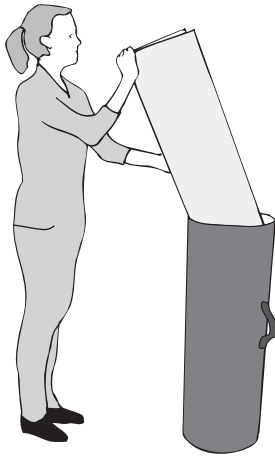


Expand LinkWall Packing Instructions



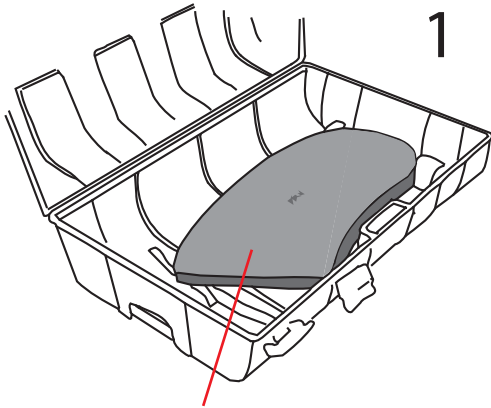
Take the black panel bag and insert each graphic panel one at a time



Insert the spotlights into the padded bag and place them inside of the graphics

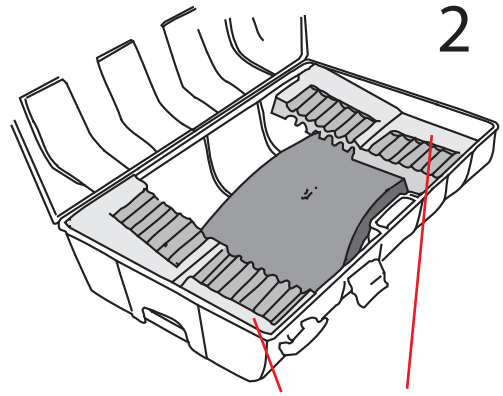


Insert the magnetic bars into the nylon bag and place that bag next to the spotlights



1

Start with table top (optional)
- attach straps

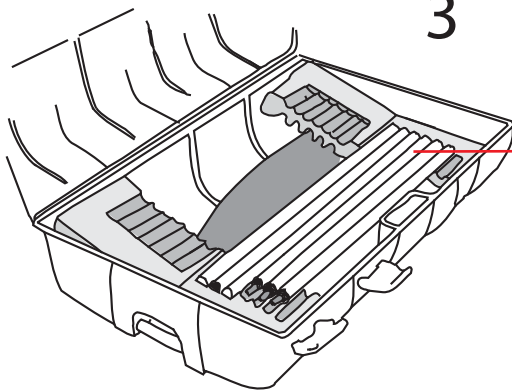


2

Place first pair of foam inserts

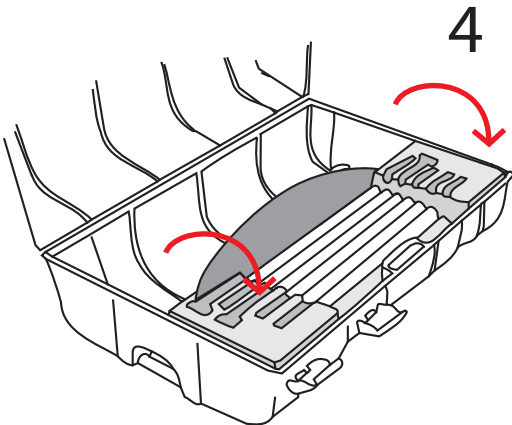
1L

1R



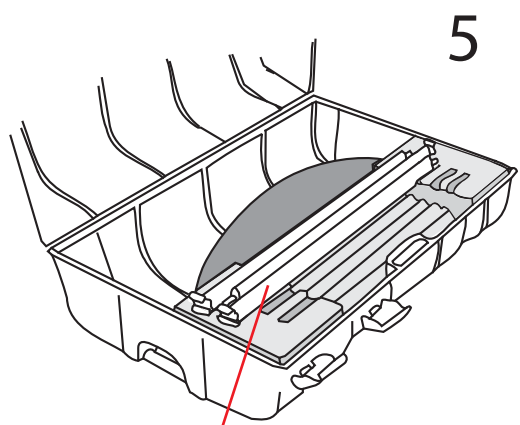
3

Place middle and base pole sections
into the corresponding cut outs



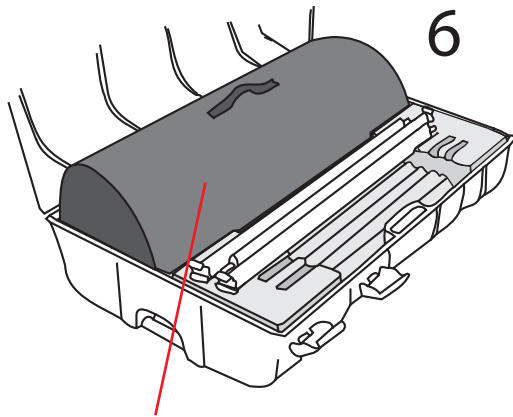
4

Close foam inserts...

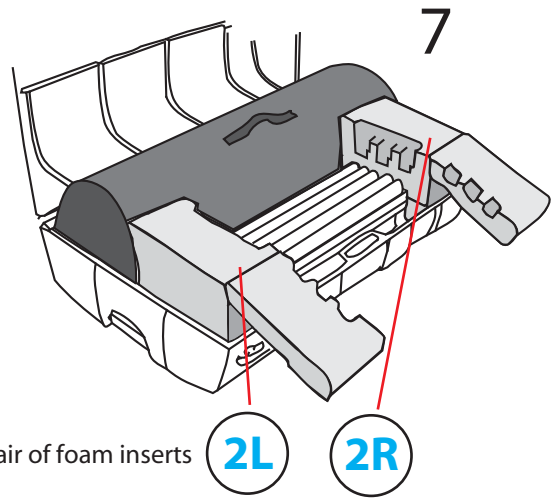


5

...then place top sections into the cut outs



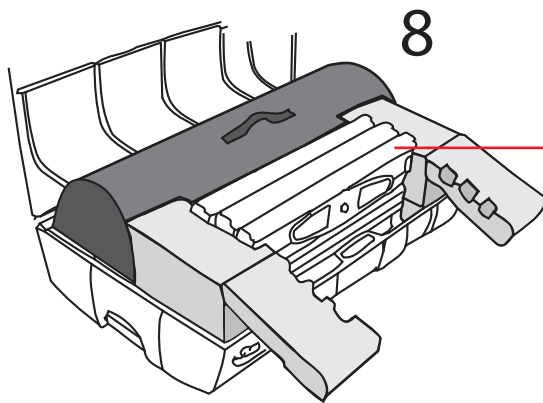
6
Place the large bag with panels, lights and magnetic bars into the case



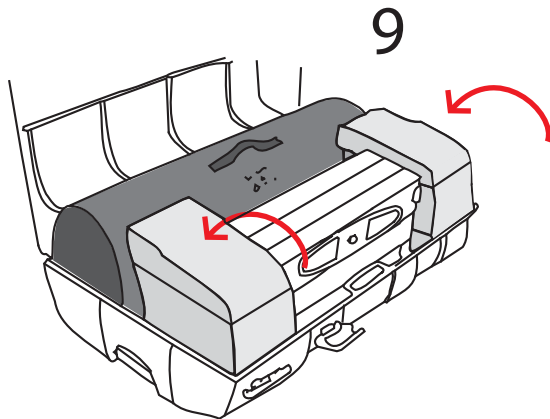
7
Add second pair of foam inserts

2L

2R



8
Place base units (feet towards you)

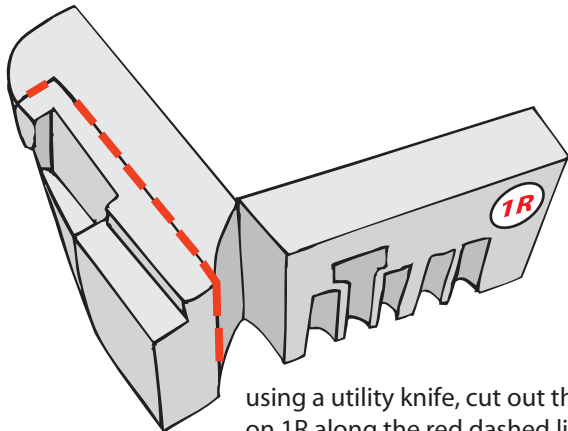


9
Close foam inserts

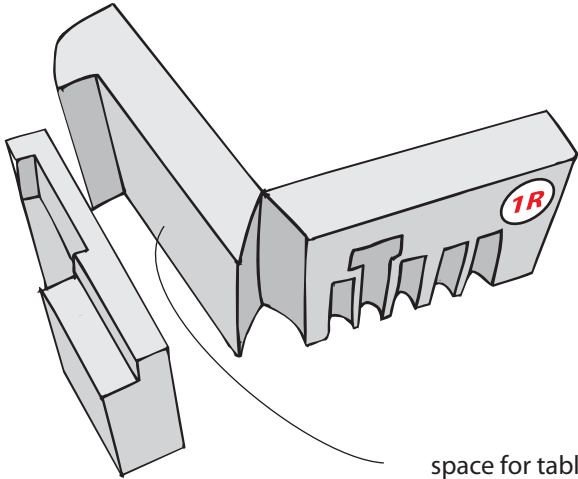
How to cut-out of insert



to pack table-top (optional)



using a utility knife, cut out the foam on 1R along the red dashed line



Discard cut out piece