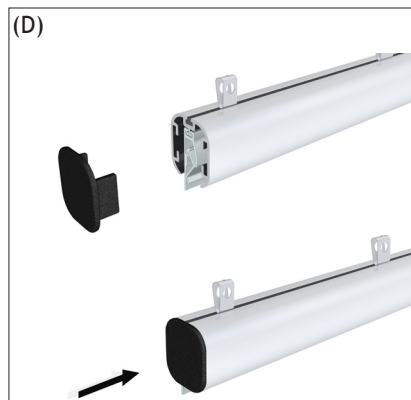
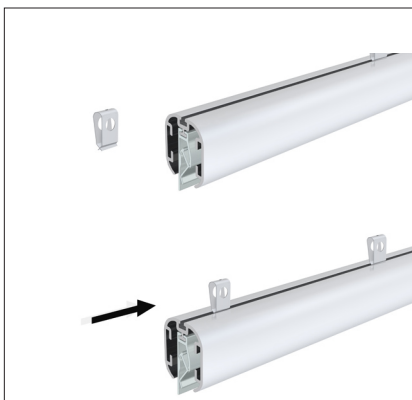
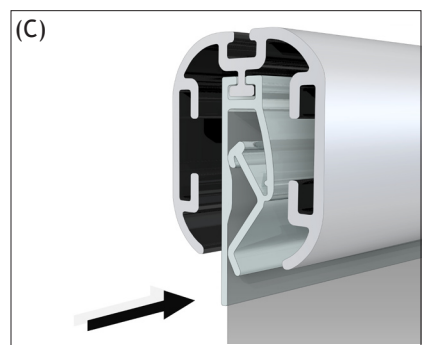
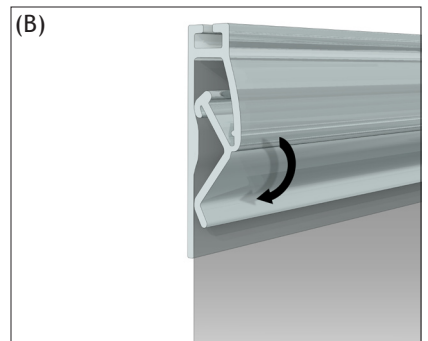
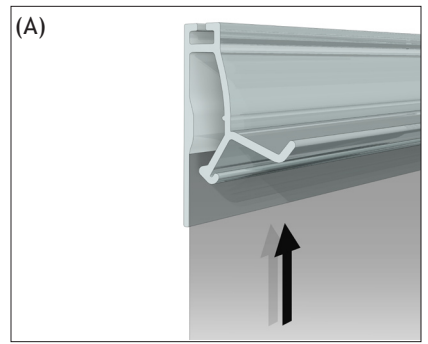


# SnapGraphics™

1. Insert graphic into open SnapGraphic™ (fig. A) and clamp into place (fig. B).
2. SnapGraphic™ doesn't close well until graphic insertion.
3. Slide SnapGraphic™ into aluminum shroud (fig. C).
5. Insert endcaps into bar ends (fig. D).

## Applicable Products:

SN1, SN2, SN3, SN4



Hanging Clips