

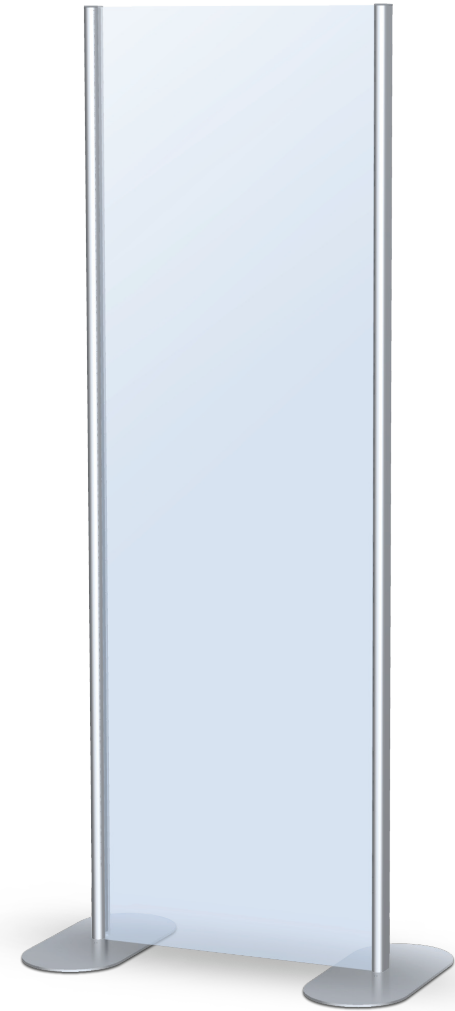
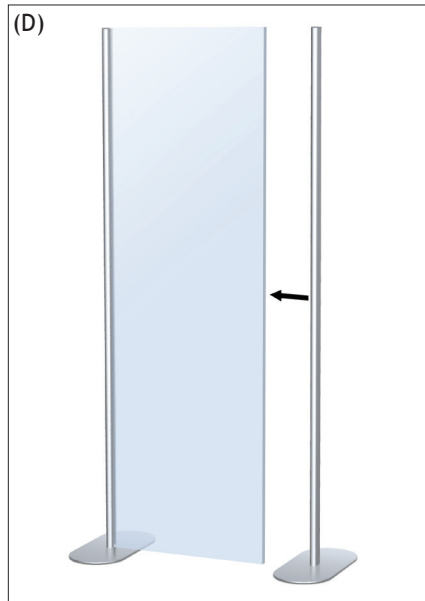
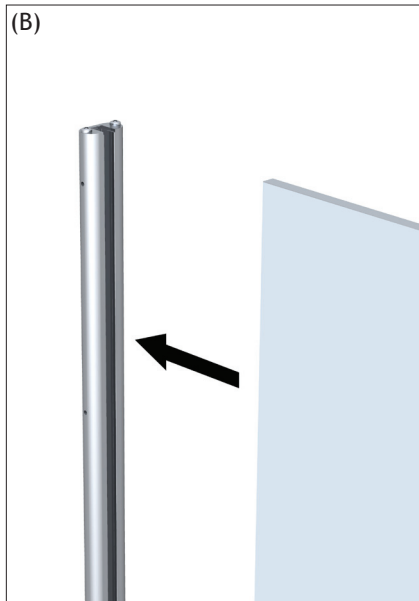
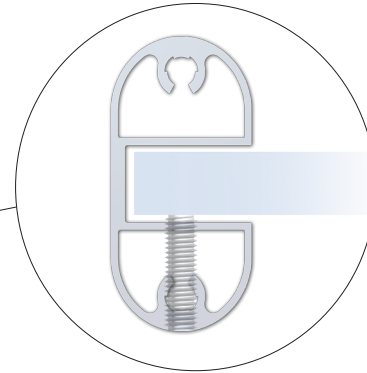
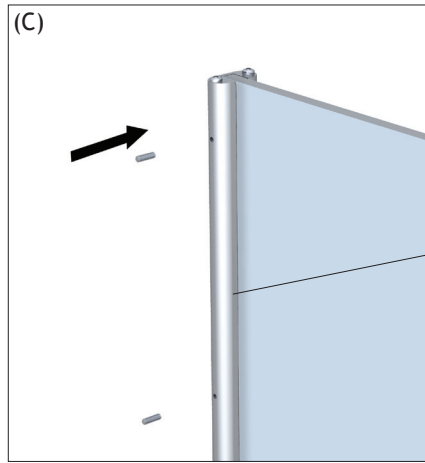
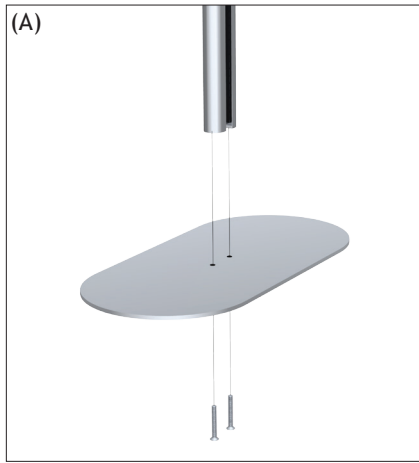
# Signholders (Skyscraper Mightee Mount™)

## Applicable Products:

SKMM6  
SKMM7  
SKMM8

1. Attach upright to bases using screws provided (fig. A).
2. Place graphic in the upright channel (fig. B).
3. Fasten graphic into place using headless set screws (fig. C).
4. Attach second upright to graphic and fasten using headless set screws provided (fig. D).

*NOTE: Model shown below may differ from your model, but assembly instructions remain the same.*



SKMM6 shown