

Pacific

The Pacific is a lightweight, affordable roller banner with slim base and bungee pole making it very compact. It comes complete with a swivel out foot for extra stability.



Features and Benefits

- Your choice of 3 widths
- Molded endplates
- Compact and lightweight
- Supplied with quality carry bag
- Available in anodized silver
- Swivel-out foot for extra stability

Dimensions

Hardware Dimensions

Pacific 800: 32.5" w x 3.75" d x 16" d (w/swivel foot extended)

825.5mm w x 95.25 mm d x 406.4mm d

Pacific 920: 36.5" w x 3.75" d x 16" d (w/swivel foot extended)

927.1mm w x 95.25 mm d x 406.4mm d

Pacific 1000: 40.25" w x 3.75" d x 16" d (w/swivel foot extended)

1022.35mm w x 95.25mm d x 406.4mm d

All Pacifics 4" d (101.6mm d) w/o swivel foot extended, base diameter 5"

Graphic Dimensions:

Pacific 800: 31.5" w x 83.75" h (plus .5" bleed at top and 6" bleed at bottom)

800.1mm w x 2127.25mm h (plus 12.7mm bleed at top and 152.4mm bleed at bottom)

Pacific 920: 35.5" w x 83.75" h (plus .5" bleed at top and 6" bleed at bottom)

901.7mm w x 2127.25mm h (plus 12.7mm bleed at top and 152.4mm bleed at bottom)

Pacific 1000: 39.25" w x 83.75" h (plus .5" bleed at top and 6" bleed at bottom)

996.95mm w x 2127.25mm h (plus 12.7mm bleed at top and 152.4mm bleed at bottom)

Weight: Approx 10 lbs/4.54kg (including carry bag)

Bag: 6" x 4"

Additional Information

Shipping Info:

Pacific 800: 37 x 7 x 6, 8 lbs

939.8mm x 177.8mm x 152.4mm, 3.63kg

Pacific 920: 45 x 7 x 6, 11 lbs

1143mm x 177.8mm x 152.4mm, 4.99kg

Pacific 1000: 45 x 7 x 6, 11 lbs

1143mm x 177.8mm x 152.4mm, 4.99kg

Graphic Specs: Recommended material thickness: 8.86 - 11.81 mils

Recommended substrates: 13 oz. smooth vinyl, 7 oz. cotton, 14 oz anti-curl vinyl, 8 oz. oxford

-Included in Kit: Top rail, base, bungee pole set and carry bag

-Adhesive top rail attachment recommended for short-term use, grippa top rail attachment recommended for long term, semi-permanent graphic attachment.

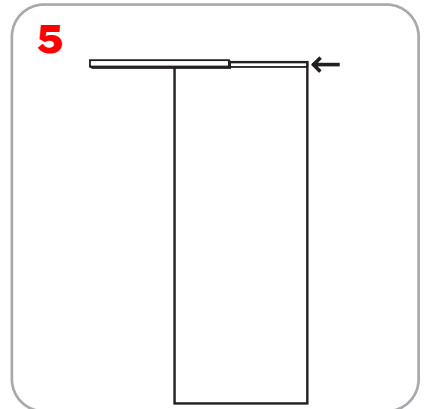
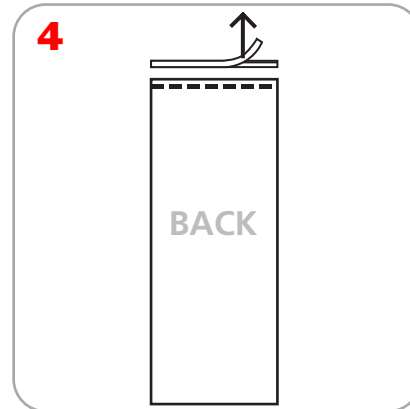
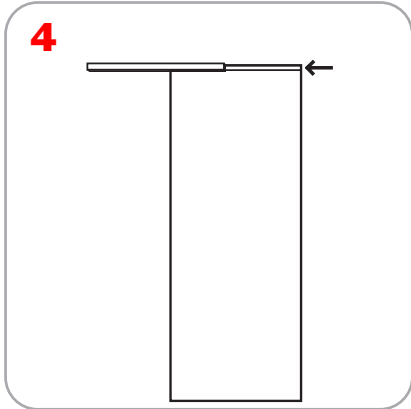
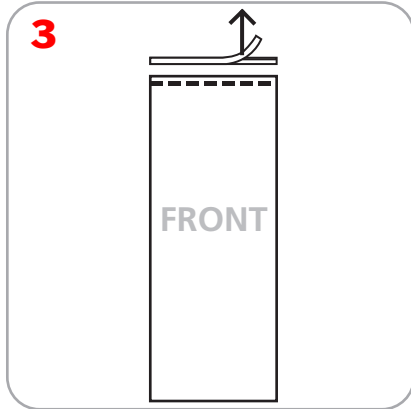
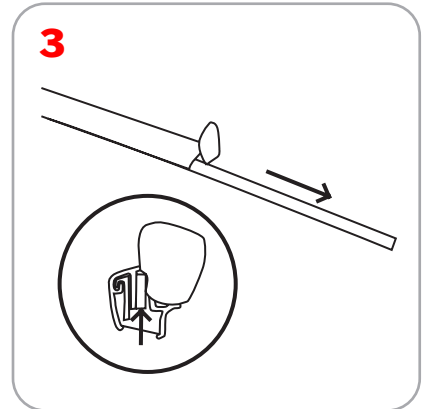
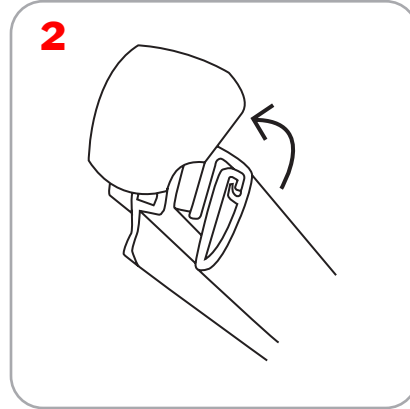
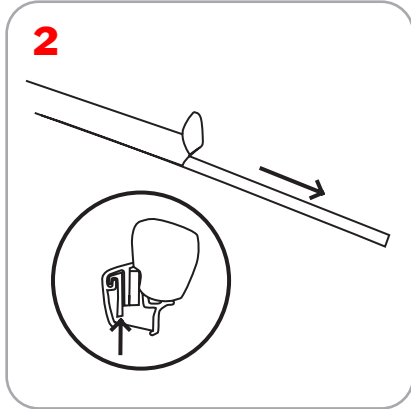
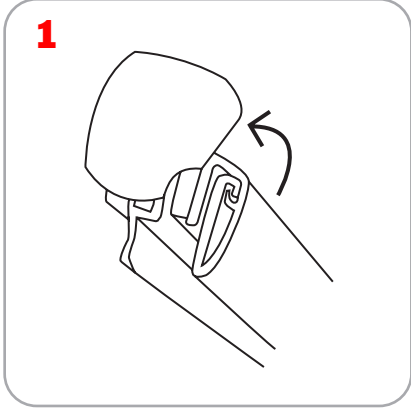
Lighting is available

*Hold the top rail whilst lowering the banner, do not drop, to prevent damage to the graphic

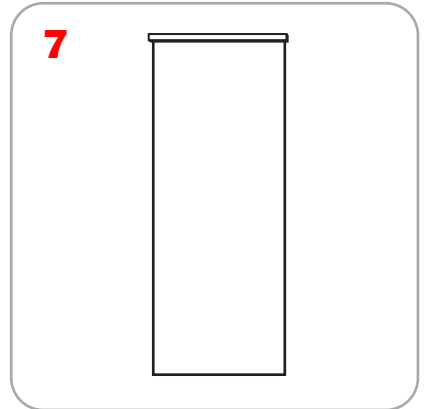
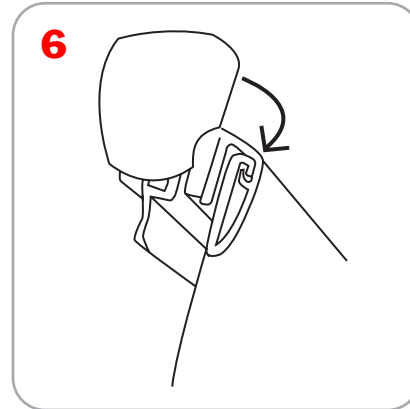
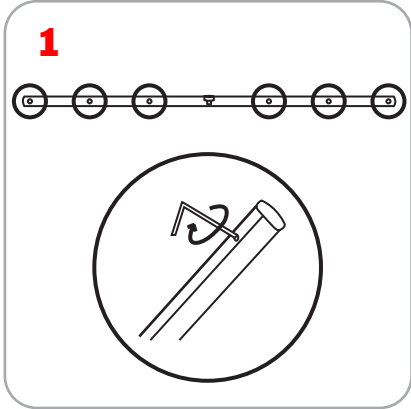
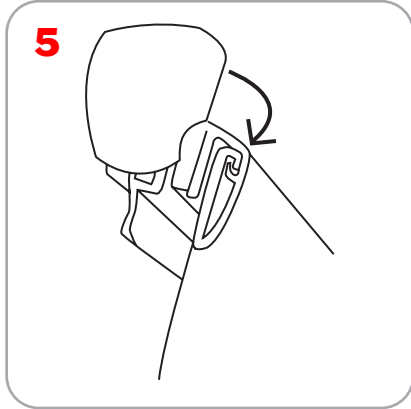
*Opening the banner stand base may invalidate the product warranty

*After fitting, the graphic should be left for 24 hours before use to ensure the adhesive bonds

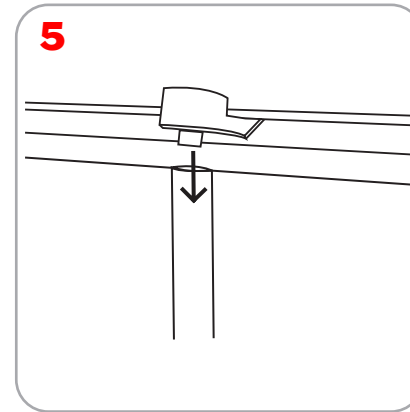
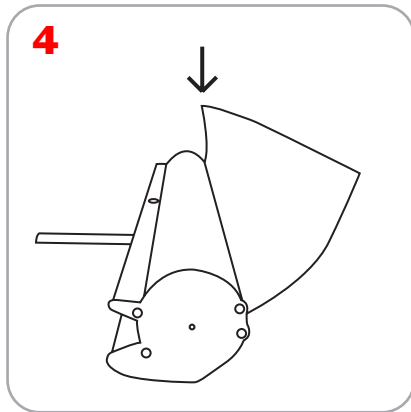
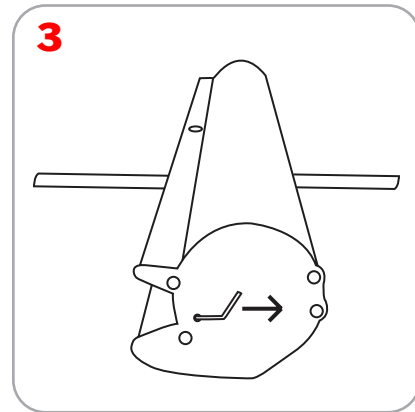
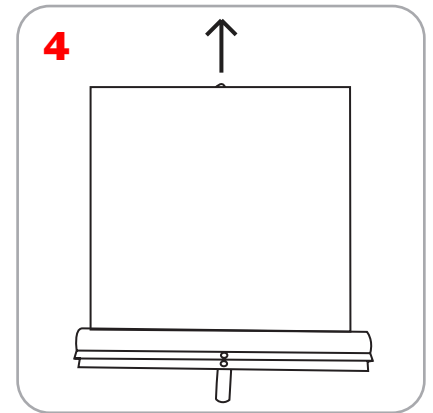
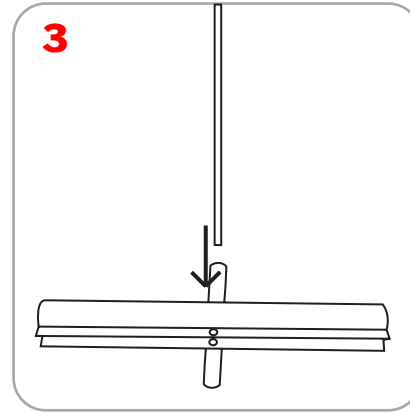
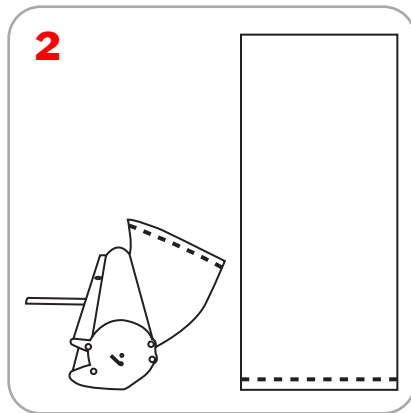
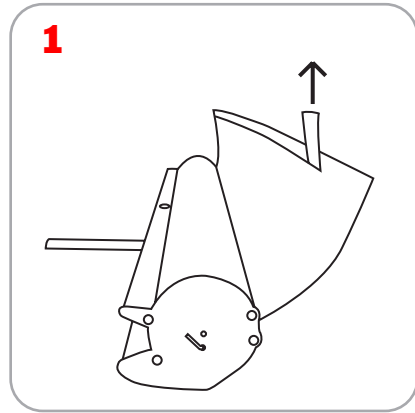
Adhesive Top Rail Attachment



Grippa Top Rail Attachment



Attaching Graphic to Leader strip



Assembly Instructions

