
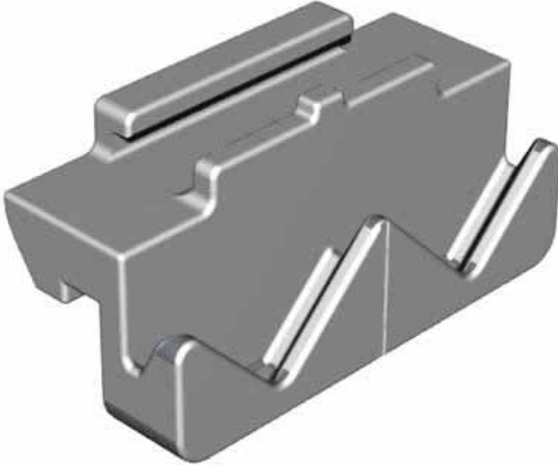


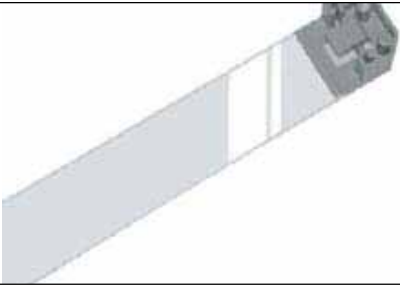


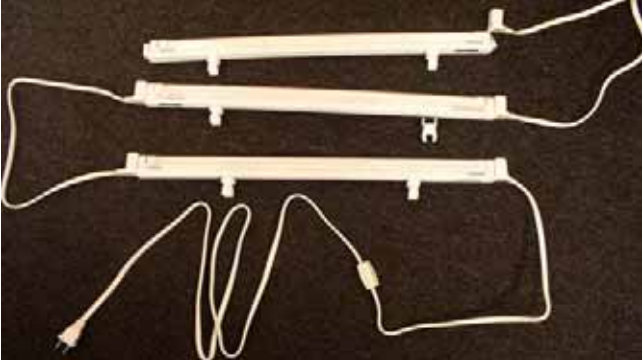



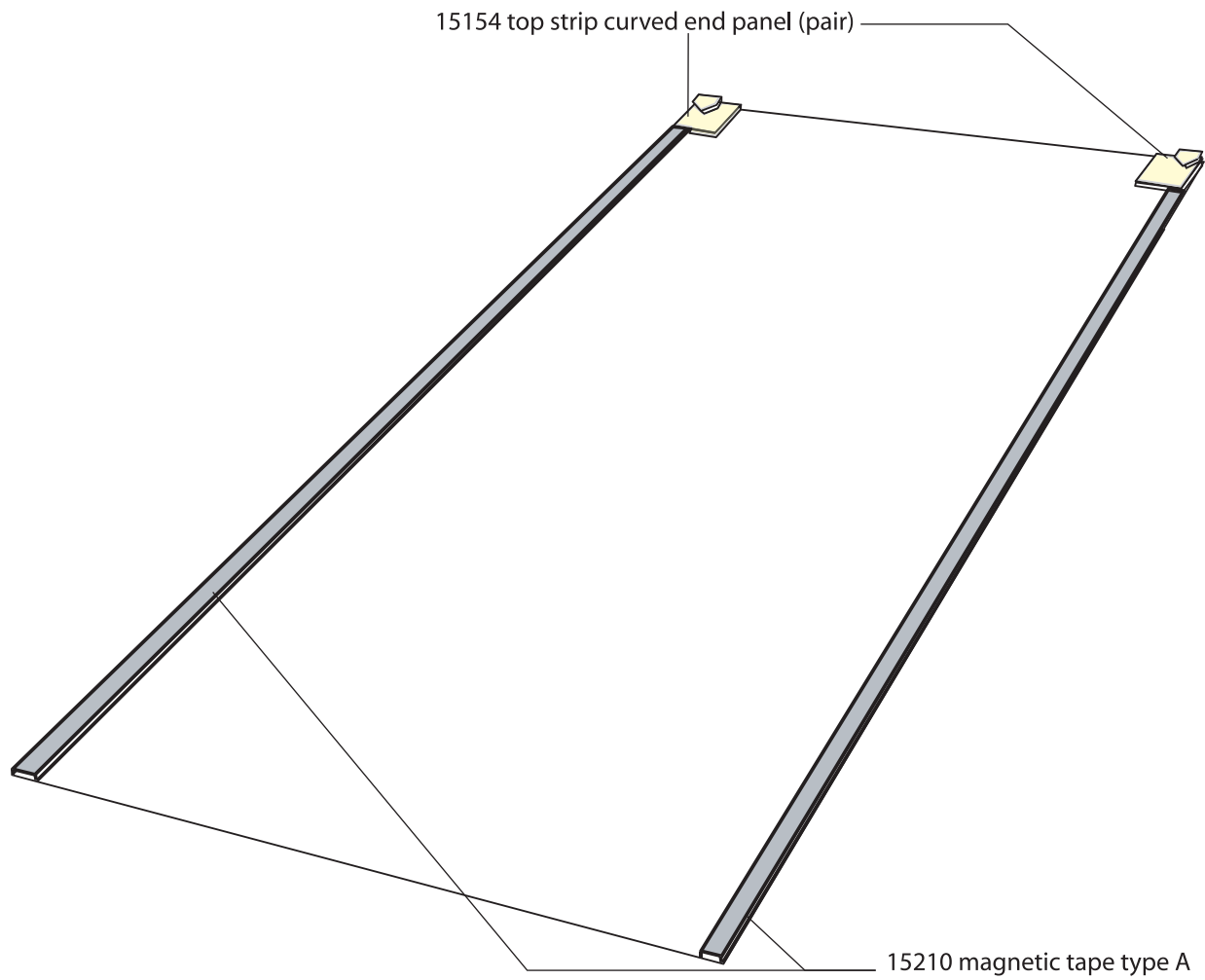
Expand Tower Complete Hardware Kit

Part no	Qty	Description	Image
10813G	1	Tower frame	
15436	3	Panel Hook/ spotlight fastener (Note these may be mounted on the frame)	
15080	3	Folding magnetic bar	
15154	3	Top stiffener (Left & Right) Pair	

15200	6	Graphic support strip	
15210	537 inches	Roll of Magnetic Tape	
17100	1	Magnetic Bar Bag	
17010	1	Expand Tower Bag	
16423	8	Fluorescent, light kit (3) (optional)	
16348B-1	3	Spotlight, Halogen 200W (optional)	

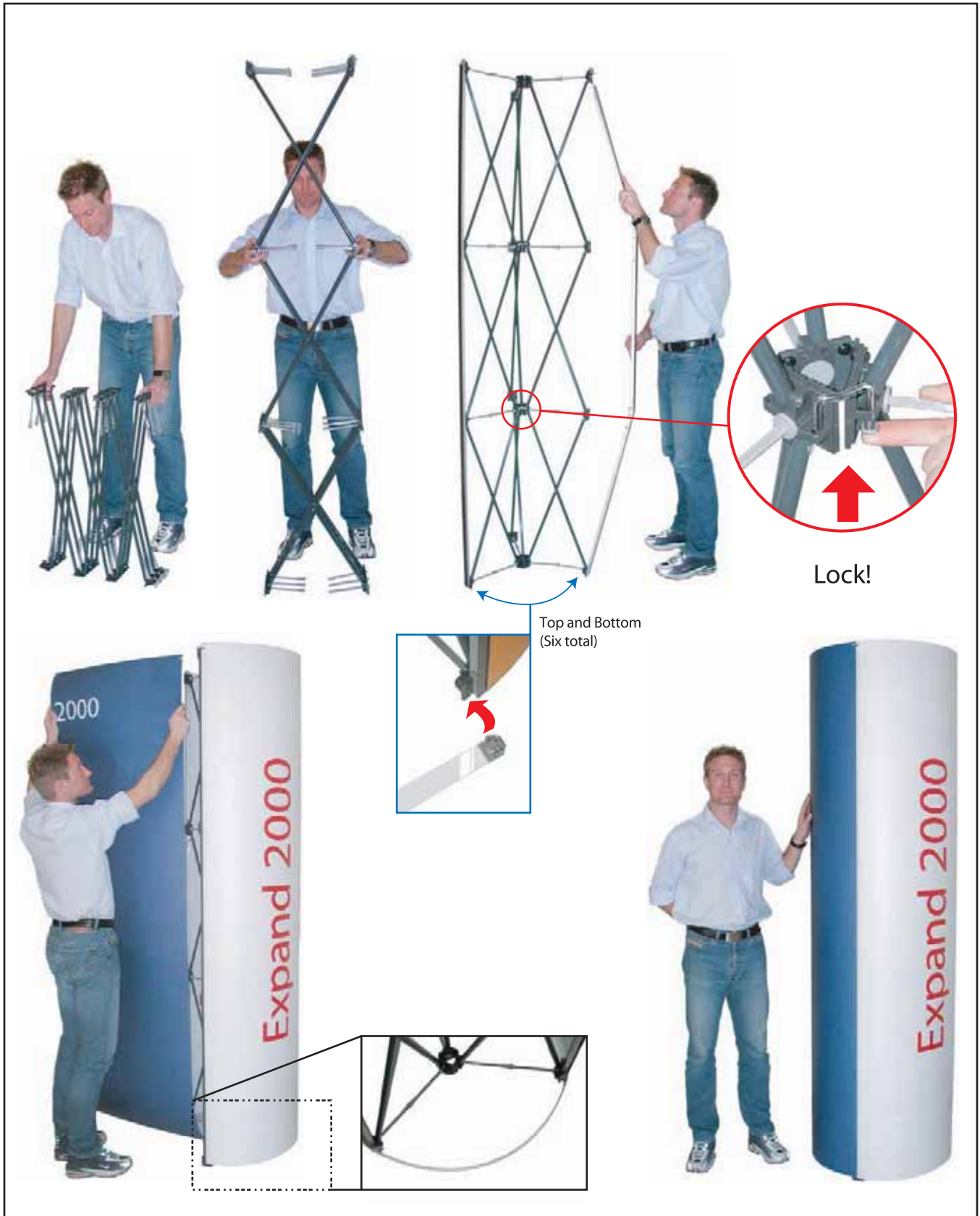
Expand Tower Panel Set-up Instruction

(including magnetic tape (type A) and invisible strips)



Three graphic panels per Expand Tower, each panel measures: 27 3/16" wide x 88" high.

Expand Tower Set-up Instruction



Expand Tower Light Set-up Instruction

Fluorescent Light Installation



Attach each light to the scissor with the supplied clips



Halogen Light Installation

